

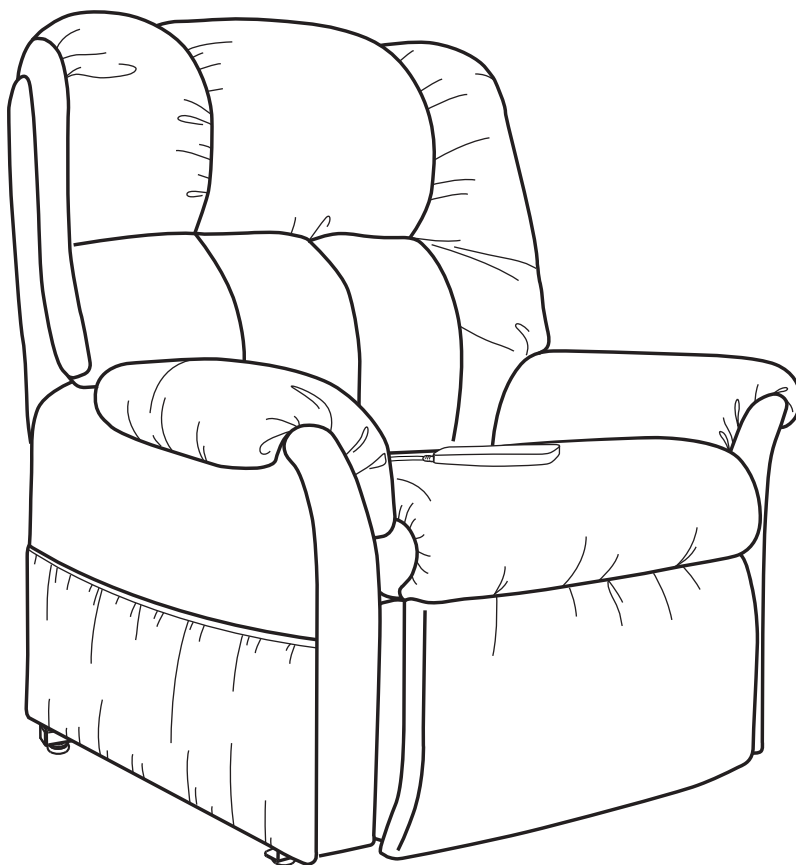
Pride[®]
Mobility Products Corp.
www.pridemobility.com

1-800-800-8586 (US)

LIFT CHAIR

SERIES

OWNER'S MANUAL



Your Pride Lift Chair has gone through a Stringent Inspection protocol to ensure our product is made to your satisfaction.

- Upholstery Workmanship**
- Aesthetics and Comfort**
- Performance**

Pride keeps a more detailed report on file at the factory

Date Inspected /Date de l'inspection

Inspector /Inspecteur

Product Serial # /Numéro de série



The symbols below are used throughout this owner's manual and on the product to identify warnings and important information. It is very important for you to read them and understand them completely.



WARNING! Indicates a potentially hazardous condition/situation. Failure to follow designated procedures can cause either personal injury, component damage, or malfunction. On the product, this icon is represented as a black symbol on a yellow triangle with a black border.



MANDATORY! These actions should be performed as specified. Failure to perform mandatory actions can cause personal injury and/or equipment damage. On the product, this icon is represented as a white symbol on a blue dot with a white border.



PROHIBITED! These actions are prohibited. These actions should not be performed at any time or in any circumstances. Performing a prohibited action can cause personal injury and/or equipment damage. On the product, this icon is represented as a black symbol with a red circle and red slash.

INTENDED USE

The intended use of the Pride Mobility Products device is that of a device with motorized positioning control that is intended for medical purposes and that can be adjusted to various positions. The device is used to provide stability for patients and to alter postural positions. The Pride Mobility Products device will provide lift assistance for people who have difficulty rising from a seated position to a standing position.

REGARDING DEVICES FOR PRESCRIPTION USE



CAUTION! Federal law restricts this device to sale by or on the order of a physician or other certified personnel licensed by the law of the State (US only) or region in which this personnel practices to use or order the use of this device.

Please fill out the following information for quick reference:

Pride Provider: _____
Address: _____
Telephone: _____
Purchase Date: _____

NOTE: This owner's manual is compiled from the latest specifications and product information available at the time of publication. We reserve the right to make changes as they become necessary. Any changes to our products may cause slight variations between the illustrations and explanations in this manual and the product you have purchased. The latest/current version of this manual is available on our website.

NOTE: This product is compliant with WEEE, RoHS, and REACH directives and requirements.

NOTE: This product meets IPX1 classification (IEC 60529).

NOTE: The Lift Chair and its components are not made with natural rubber latex. Consult with the manufacturer regarding any after-market accessories.



CONTENTS

I. INTRODUCTION	4
II. SAFETY	5
III. YOUR LIFT CHAIR	8
IV. ASSEMBLY/DISASSEMBLY	10
V. OPERATION	13
VI. BASIC TROUBLESHOOTING	15
VII. CARE AND MAINTENANCE	17

I. INTRODUCTION

SAFETY

The product you have purchased combines state-of-the-art components with **safety**, comfort, and styling in mind. **Read** and **follow** all instructions, warnings, and notes in this manual and all other accompanying literature before attempting to operate this product for the first time. If there is any information in this manual which you do not understand, or if you require additional assistance for setup or operation, please contact your authorized provider. **Failure to follow the instructions, warnings, and notes in this manual and those located on your product can result in personal injury or product damage and will void the product warranty.**

NOTE: If you ever lose or misplace your copy of this manual, contact us and we will be glad to send you a new one immediately.

PURCHASER'S AGREEMENT

By accepting delivery of this product, you promise that you will not change, alter, or modify this product or remove or render inoperable or unsafe any guards, shields, or other safety features of this product; fail, refuse, or neglect to install any retrofit kits from time to time provided to enhance or preserve the safe use of this product.

SHIPPING AND DELIVERY

Before using your lift chair, make sure your delivery is complete as some components may be individually packaged. If you do not receive a complete delivery, please contact your authorized provider immediately. Where damage has occurred during transport, either to the packaging or content, please contact the delivery company responsible.

MOTOR VEHICLE TRANSPORT

If you will be transporting your lift chair in a motor vehicle, individual components (external transformer, etc.) should be secured against slipping. The lift chair itself must also be secured against slipping (a possible hazard during vehicle braking).

II. SAFETY

PRODUCT SAFETY SYMBOLS

The symbols below represent labels used on the product to identify warnings, mandatory actions, and prohibited actions. It is very important for you to read and understand these symbols completely. Do not remove these labels from your product. Please note that not all of the symbols may be used on your lift chair model.



Pinch/Crush Points Hazard! Do not place objects or appendages in the path of moving parts.



Electrical Hazard



This product has been tested and complies to IEC 60601-1-2.



Read and follow the information in the owner's manual.



Maximum weight capacity



Do not connect an extension cord to the AC/DC converter or the battery charger.



Removal of grounding prong can create electrical hazard. If necessary, properly install an approved 3-pronged adapter to an electrical outlet having 2-pronged plug access.



Do not connect the heat and massage hand control directly to the motor. Connect the hand control directly to the junction box to prevent equipment damage.



Do not place objects under lift chair. Make sure area is clear of obstructions, including pets and small children, during operation.



Do not place objects under the footrest when lift chair is in fully reclined position. Make sure area is clear of obstructions, including pets and small children, during operation.



Do not cover or place the external transformer under the chair. Keep in an open, well-ventilated area free from foreign material and away from possible pinch points.



Class II Equipment



Indoor Use Only. Avoid exposure to rain, snow, ice, salt, or standing water. Maintain and store in a clean and dry environment.

II. SAFETY



Battery Door Location



TYPE B

Degree of protection against electric shock.



Properly dispose of all electronic components, including the external transformer, hand control, batteries, actuator motors, and wiring. Contact your authorized provider for more information.



Green LED indicates power to the unit is on. Not applicable to all models.

Your lift chair is a state-of-the-art life-enhancement device designed to increase comfort. An extensive variety of products are provided to best fit your individual needs. Please be aware that the final selection and purchasing decision regarding the type of lift chair to be used is the responsibility of you, the lift chair user, if capable of making such a decision, and/or your healthcare professional (i.e., medical doctor, physical therapist, etc.).



MANDATORY! Read and follow the information provided in this owner's manual before attempting to operate your lift chair for the first time.

There are certain situations, including some medical conditions, where you will need to practice operating the lift chair in the presence of a trained attendant. A trained attendant can be defined as a family member or healthcare professional specially trained in assisting you with performing various daily living activities while safely operating a lift chair.

Below are some precautions, tips, and other safety considerations that will help you become accustomed to operating the lift chair in a safe manner.

Modifications

You should not modify, add, remove, or disable any feature, part, or function of your lift chair. Unauthorized modifications may lead to personal injury and/or product damage and may also void your product's warranty.

NOTE: Use only manufacturer parts for all repairs and replacements.

Weight Limitations

Your lift chair is rated for a maximum weight capacity. Please refer to the specifications table for this limit.



MANDATORY! Stay within the specified weight capacity of your lift chair. Your provider will not be held responsible for injuries and/or product damage resulting from failure to observe weight limitations.

II. SAFETY

The scissor and lift mechanisms are labeled as pinch/crush point hazards on your lift chair. Keep clear of these areas and make sure the path of motion is unobstructed. See **figure 3.1** for pinch/crush point locations.



WARNING! Do not place objects or appendages in the path of moving parts.

Degree of Protection/Mode of Operation

- Class II equipment/Type B protection against electric shock
- Degree of protection against the ingress of solid/liquids—IPX0
- Mode of operation—Maximum Duty Cycle: 2 min. ON/18 min. OFF

Storage and Operation Temperatures

- Transportation or storage: -104°F/-75°C to 158°F/70°C
- Operation: 50°F/10°C to 104°F/40°C

Electromagnetic and Radio Frequency Interference (EMI/RFI)



WARNING! Laboratory tests have shown that electromagnetic and radio frequency waves can have an adverse effect on the performance of electrically-powered devices, such as lift chairs.

Electromagnetic and Radio Frequency Interference can come from sources such as cellular phones, mobile two-way radios (such as walkie-talkies), radio stations, TV stations, amateur radio (HAM) transmitters, wireless computer links, microwave signals, paging transmitters, and medium-range mobile transceivers used by emergency vehicles. In some cases, these waves can cause unintended movement or damage to the control system of electrically-powered devices. The lift chair user can help prevent electromagnetic interference by maintaining a minimum distance between portable and mobile RF communications equipment. It is recommended that at least 9 feet (3 meters) of distance be maintained between the lift chair and any handheld equipment emitting 10 W or more of output power. Refer to the manufacturer's literature for the handheld device to determine the maximum output of that device.

Every electrically-powered device has an immunity (or resistance) to EMI. The higher the immunity level, the greater the protection against EMI. Per EMC standards, this product has passed immunity testing and is rated as a Group 1, Class B product, meaning the lift chair uses RF energy only for its internal function. Therefore, its RF emissions are very low and are not likely to cause any interference in nearby electronic equipment, making the lift chair suitable for use in all establishments, including domestic establishments and hospitals.



WARNING! Be aware that cell phones, two-way radios, laptops, and other types of radio transmitters may cause unintended movement of your electrically-powered device due to EMI. Exercise caution when using any of these items while operating your lift chair.



WARNING! The addition of accessories or components to the lift chair can increase the susceptibility of the chair to EMI. Do not modify your lift chair in any way not authorized by your provider.

WARNING! Your lift chair itself can disturb the performance of other electrical devices located nearby, such as alarm systems.

NOTE: If unintended motion occurs, discontinue use of the lift chair. Contact your provider to report the incident.

III. YOUR LIFT CHAIR

BODY COMPONENTS

Lift chairs are equipped with several frame and electrical components. Typically, frame (or body) components include a removable back pad*, removable chaise pad*, footrest, leg levelers, a lift mechanism, and scissor mechanisms. The electrical components include the external transformer, hand control, and batteries‡(not included). Refer to **figure 3.1** and note that the illustrations and options listed may not reflect the type of lift chair that you own.

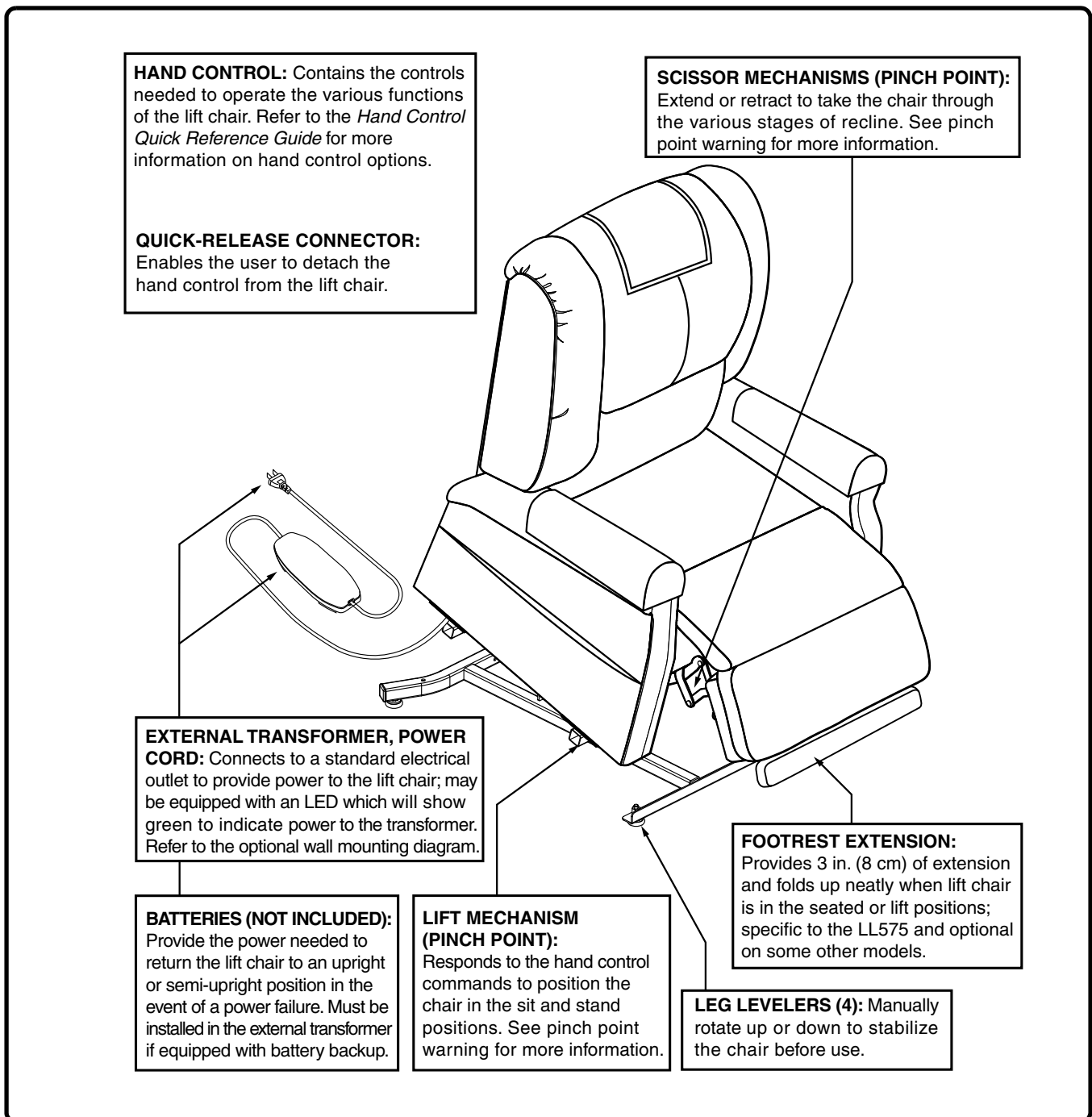


Figure 3.1 Lift Chair Main Components

III. YOUR LIFT CHAIR

Removable Back Pad: Attaches to the lift chair with reusable fasteners to enable the use of the bed option on some models and to make servicing the chair more convenient.

Removable Chaise Pad: Attaches to the lift chair with reusable fasteners to make servicing the chair more convenient.

**NOTE: The lift chair must be in the recline position in order to remove or attach the back pad, chaise pad, or bed option mattress (LL670 only). If the lift chair is equipped with heat and massage options, you must also disconnect the heat and massage connections before removing the back pad and/or chaise pad.*

**NOTE: The LL770L bed option consists of a mattress, bedsheet, strap, and storage bag. After removing the mattress, it is recommended that you store it in the bag provided.*

‡NOTE: The batteries will provide power for only a short period of time after power is removed from the system, so it is important to act quickly in the event of a power failure. Press and hold the UP button (switch) on the hand control as soon as possible. Maintain a steady pressure on the button (switch) to avoid excessive draw from the battery and achieve the most amount of lift. Keep in mind that the amount of life the batteries will be able to provide is affected by user weight and battery condition.

WARNING! Pinch/Crush Points Hazard! Be aware that the lift mechanism and scissor mechanisms are a pinch point on the lift chair. Keep the following items and similar objects clear of these points when operating the lift chair:



- appendages
- small children
- pets
- wires
- oxygen tubes, oxygen tanks, and portable ventilators
- loose items, including but not limited to clothing and blankets
- electrical power cords

ELECTRICAL COMPONENTS

Your lift chair is equipped with a low voltage DC electrical system that reduces the standard household alternating current of 100V AC - 240V AC to direct current (24/39V DC). The electrical components include the external transformer, batteries (not included), and hand control. Keep these areas free from moisture at all times.



WARNING! Keep all electrical components free from moisture at all times to prevent shock and/or electrical hazard.

Batteries: Provide the power needed to return the lift chair to an upright or semi-upright position in the event of a power failure. For those models equipped with a battery backup system, the batteries (not included) must be installed into the external transformer. See IV. "Assembly/Disassembly."

IV. ASSEMBLY/DISASSEMBLY

Your lift chair may require some assembly before initial use. It may also require disassembly to make servicing the chair more convenient. If your lift chair is a Knock-Down (KD) model, follow the instructions in "Lift Chair Setup."

CHAIR BACK ASSEMBLY

NOTE: If your lift chair is an Infinite model, refer to the assembly instructions provided with the chair. For the 2-position model, the KD sleeves are located on the inside as shown in figure 4.1.

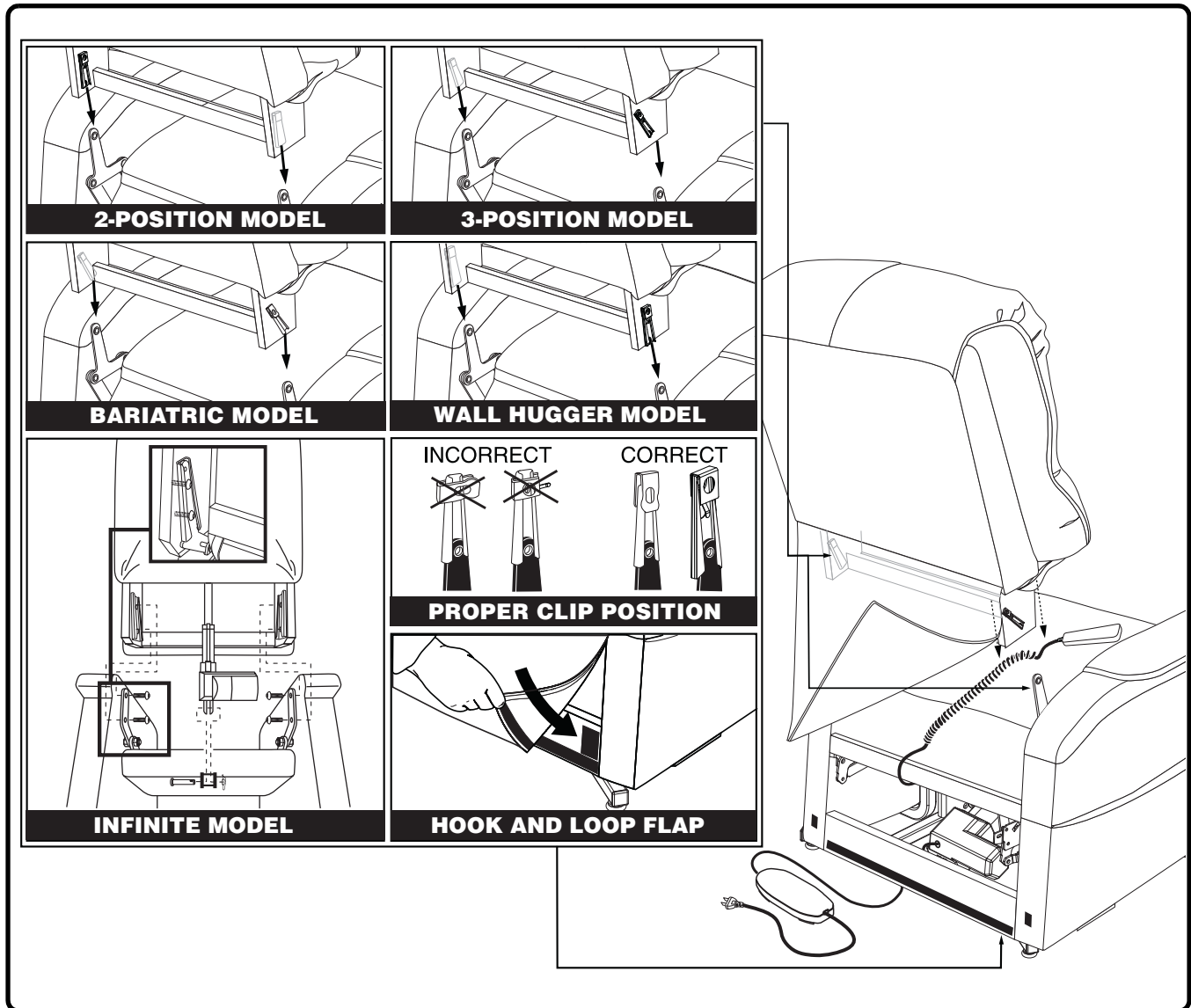


Figure 4.1 Lift Chair Assembly

1. Check that the locking clip on the back of the chair is in the vertical position. Reposition if necessary.
2. Drape the hand control and cable over the chair base, then slide the back onto the base. Ensure the hand control cable is routed through the rear of the lift chair.

NOTE: Depending on chair width, you may need to slide on one side of the back at a time. If this is the case, level the chair-back before pressing down to lock into position.

IV. ASSEMBLY/DISASSEMBLY

3. Push firmly on the top of the back to lock into position. You must hear a click from each side of the chair to ensure the back is locked in properly.

NOTE: Pull up on the chair-back to ensure that it is locked in place.

NOTE: See figure 4.2 for additional instructions regarding LC770 models.

4. Connect the hand control harness to the lift chair and heat/massage harnesses (if equipped) to the lift chair (Fig 4.3).



WARNING! Do not connect the push-button or heat/massage hand control directly to the motor. Connect the hand control directly to the junction box to prevent equipment damage.

5. Attach the chair-back to the hook and loop flaps on the bottom of the chair base.

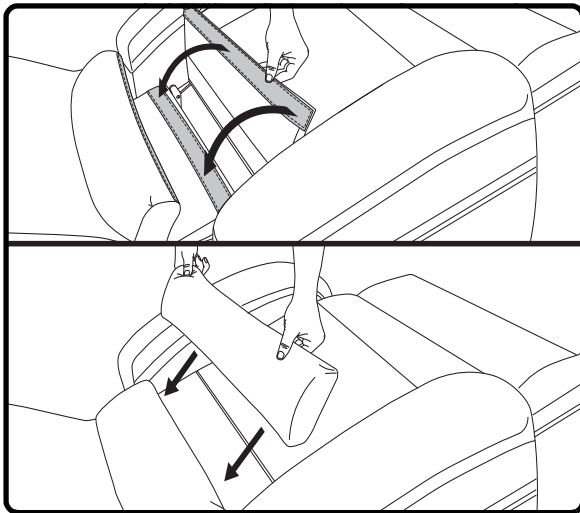


Figure 4.2 LL770 Additional Assembly

- For LL770 Lift Chairs, after attaching the back per the KD instructions, fully recline the lift chair and place the base flap over the gap between the seat and back. Using the reusable fasteners, secure the base flap to the chair and then secure the bottom-most pillow to the base flap.
- Place the bolster pillow over the covered gap, slightly wedging it between the back and seat, and return the LL770 Lift Chair to the seated position.



WARNING! Be aware that the average temperature of the heating pad ranges between 106°F - 118°F (41°C - 48°C) and can be affected by the ambient temperature of the room and clothing worn by the user. Your provider recommends that the heat units not be used for more than 20 minutes at a time as prolonged exposure may have an adverse effect on sensitive skin. However, you should consult the physician about how often you should use the heat and massage options on your lift chair.

WARNING! Exercise extreme caution when using heat units if you have difficulty sensing heat.

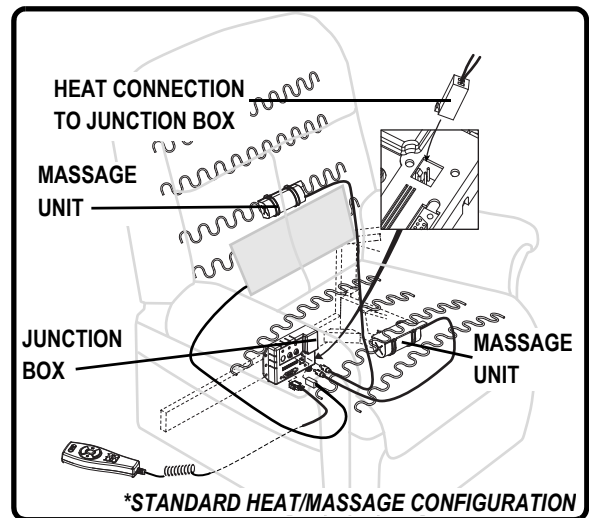


Figure 4.3 Harness Connections

- For units equipped with the heat and massage option, connect the heat and massage harnesses to the chair.
- The heat pad(s) and massage units have been factory installed on your lift chair. You should only need to connect the harnesses to the chair. If you find any further assembly is required with this system, contact your authorized provider immediately.

IV. ASSEMBLY/DISASSEMBLY

LIFT CHAIR PLACEMENT

Your lift chair should be placed near a standard electrical outlet on dry, level ground where there is ample room to allow for proper operation. We recommend that you have the assistance of an attendant when positioning the lift chair to avoid the possibility of injury when lifting.

Follow these steps to position the lift chair in a safe manner:

1. Place the back of the lift chair 30 in. (76 cm) from the nearest obstruction while the chair is in the seated position. This measurement may vary depending on model.
2. Adjust the leg levelers to stabilize the lift chair (**Fig. 3.1**).
3. Install the batteries into the external transformer if applicable. Refer to "Battery Installation" for more information.
4. Position the external transformer on the floor in an open, well-ventilated area where it will not be an obstruction or, if equipped, utilize the optional wall mount.
5. Position the low voltage connection cable where it will not be pinched between the frame and the lift mechanism.
6. Connect the low voltage connection cable to the external transformer if it is not already connected.
7. Plug the power cord directly into the electrical outlet. **Do not use an extension cord!**

NOTE: *If you discover a problem at any point during the setup and positioning of your lift chair, stop and contact your authorized provider immediately. To avoid personal injury and/or product damage, do not plug the unit into the electrical outlet until the problem is corrected and do not attempt to fix electrical problems by yourself.*

BATTERY INSTALLATION

Your lift chair may be equipped with a battery backup system that will activate during a power failure. The backup system is powered by two 9V batteries (not included) that need to be installed into the external transformer.

Follow these steps to install the batteries:

1. Unplug the external transformer power cord from the electrical outlet.
2. Open the marked battery door on the external transformer.
3. Install two 9V batteries into the external transformer (**Fig. 4.4**).
4. Replace the battery door.

NOTE: *Always make sure the external transformer is equipped with two fresh 9V batteries, since the battery backup system does not recharge itself. Fresh batteries are defined as 9V alkaline batteries that are replaced every time the battery backup system is activated during a power failure, or once a year if the battery backup system has not been activated.*

NOTE: *If you unplug your lift chair for an extended period of time (more than one hour), remove the batteries from the external transformer. The lift chair will draw power from the batteries even when it is not in use.*

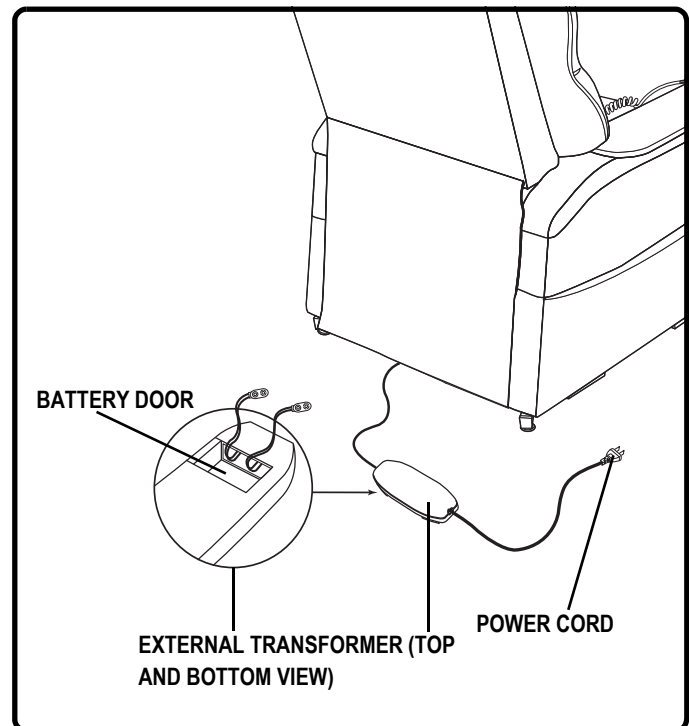


Figure 4.4 Lift Chair Battery Backup Location

V. OPERATION

OPERATION PRECAUTIONS

There are certain precautions that should be taken during the operation of your lift chair. Read and follow these precautions carefully in order to ensure safe lift chair operation and to prevent injury and/or product damage.

- Plug the power cord directly into the electrical outlet. **Do not use an extension cord!**
- Do not place anything (for example, a drinking glass) on top of or near the external transformer.
- If the external transformer box or hand control requires cleaning, unplug the power cord from the electrical outlet and use a clean, dry cloth or lightly dampened cloth. Allow ample drying time before plugging the power cord back into the electrical outlet.
- Periodically check the hand control and all power cords for visible damage.
- Keep the hand control away from all heated surfaces.
- Ensure the hand control is out of the way before sitting in the chair.
- Keep children and pets away from all moving parts while operating the lift chair.
- Do not allow children to play on or operate the lift chair. Only the intended user should operate the lift chair.
- Keep the hand control locked or utilize the quick-disconnect feature on the standard hand control when the lift chair is not in use to prevent unintended operation of the chair.
- Avoid pinch points, such as the lift and scissor mechanisms. Keep hands and feet clear of these areas.
- Always leave the lift chair in an upright and closed position when not in use.
- Do not sit or stand on the footrest.
- Do not “drop” into the lift chair when sitting if it is in a partially raised position.



PROHIBITED! Do not place objects under the lift chair. Make sure area is clear of obstructions, including pets and small children, during operation.

WARNING! Prevent the risk of electrical shock, fire, falls, and/or being pinched. Follow all instructions and precautions provided.



WARNING! Prevent potential equipment damage! Do not place the external transformer under the lift chair.

WARNING! Do not cover the external transformer. Keep the transformer in an open, well-ventilated area free from foreign material/debris to ensure proper operation.

HAND CONTROL OPERATION

Your lift chair hand control is equipped with switches/buttons that control the movement of the chair and/or heat and massage options. Read the following instructions for basic hand control operation. Please refer to the *Hand Control Quick Reference Guide* for more detailed information on your specific hand control.

WARNING! Do not lean on or apply downward force to the chair-back when the lift chair is in the fully reclined position. Doing so could cause the lift chair to tip, resulting in personal injury and/or product damage.



WARNING! Do not use the footrest as a seat, or for purposes outside its intended use. Doing so could cause instability in the lift chair and place undue stress on lift chair components, resulting in personal injury and/or product damage.

WARNING! Be sure to lock or disconnect the hand control when the lift chair is not in use.

V. OPERATION

Follow these steps to properly sit in your lift chair:

1. Make sure that the lift chair is in the standing position.
2. Back into the lift chair and sit in the center of the seat.
3. Activate the DOWN button (switch) to lower the lift chair to a comfortable seated position.

Follow these basic steps to operate your lift chair from the seated position:

1. Activate the UP button (switch) to raise your lift chair to the standing position.
2. Activate the DOWN button (switch) to lower the lift chair to a comfortable seated position.

Follow these steps to recline your lift chair from the seated position:

1. Activate and hold the DOWN button (switch) until comfortably reclined.
2. Activate and hold the UP button (switch) to return to an upright, seated position. Release the button (switch) when the lift chair reaches a comfortable seated position.

Follow these steps to properly stand up from your lift chair:

1. Activate and hold the UP button (switch) to raise your lift chair.
2. Release the button (switch) when the lift chair reaches a height where you can stand up comfortably.

WARNING! Do not attempt to stand up until you can stand safely, are steady on your feet, and can bear weight. Pride recommends the use of assistance aids and/or an attendant for enhanced stability.



WARNING! Avoid putting all of your weight on the lift chair armrests when attempting to stand and do not use the armrests for weight bearing purposes.

Trendelenburg Position (LL770)

Elevate the footrest, and then recline the seatback until your feet are elevated higher from the ground than your head. Please refer to the *Hand Control Quick Reference Guide* for more detailed information on your specific hand control.

"Zero Gravity" Position (LL770)

Elevate the footrest, and then recline the seatback until your thighs and lower legs are positioned slightly higher than your torso (body in V-like position). Please refer to the *Hand Control Quick Reference Guide* for more detailed information on your specific hand control.

VI. BASIC TROUBLESHOOTING

Your lift chair may require occasional troubleshooting. The following troubleshooting tips and FAQs should summarize what you need to know about your lift chair. If at any time you do not feel comfortable performing the troubleshooting steps listed in this manual, contact your authorized provider for service. Please have the model number, serial number, and nature of the problem when calling.

DUAL MOTOR TIMING

NOTE: *If your dual motor lift chair is equipped with a heat/massage option and/or was manufactured prior to May 17, 2011, and does not move when the hand control is pressed, the motors may be out-of-sync.*

Follow these steps to reset the motor timing:

1. Activate the hand control on the lift chair. If there is no movement in either direction, check if the motors are out-of-sync and that the pressure-sensitive safety switch has been activated. Out-of-sync motors will show one motor extended farther than the other and a pinched safety switch (**Fig. 6.1**).
2. If the motors are out-of-sync, disconnect one of the two red safety switch plugs from the motor control box (**Fig. 6.1**).
3. Activate the UP position on the hand control until your chair reaches the full lift position. This will reset the motor position and correct the timing (**Fig. 6.1**).
4. Reconnect the red safety switch plug into the motor control box (**Fig. 6.1**).

NOTE: *In order to preserve the correct motor timing, it is recommended to extend the lift chair to the full lift position when getting in and out of the chair.*

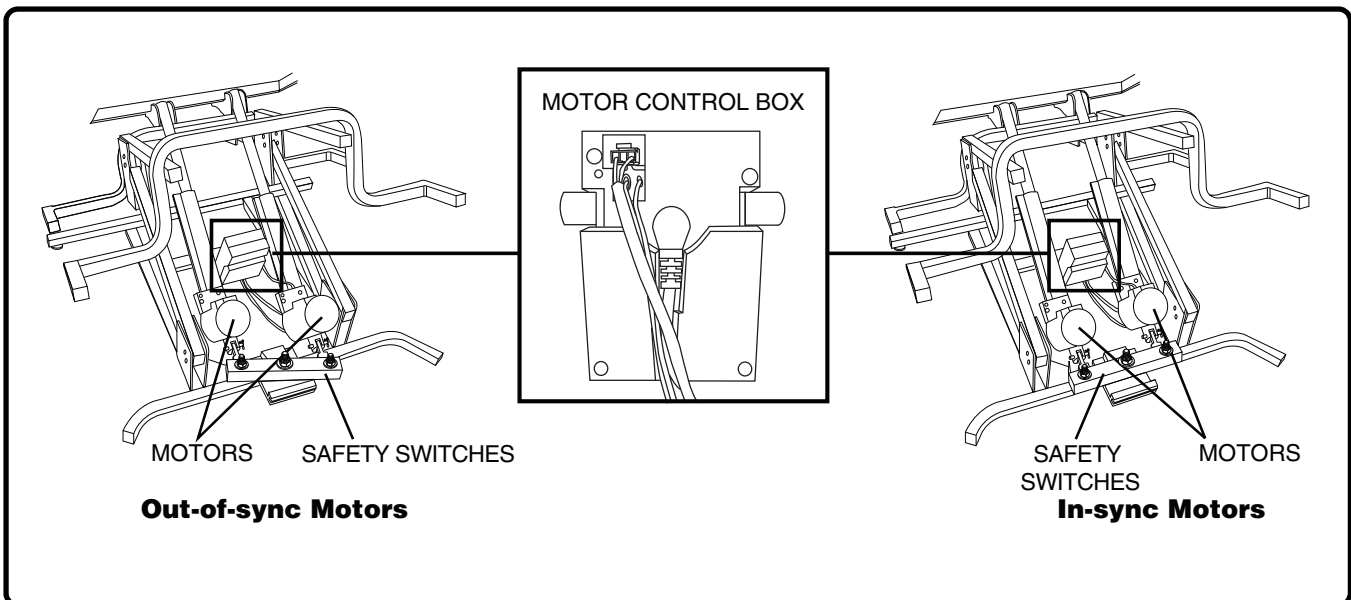


Figure 6.1 Dual Motor Timing

VI. BASIC TROUBLESHOOTING

FREQUENTLY ASKED QUESTIONS

What if my lift chair does not operate at all?

- Ensure the external transformer is plugged into a properly wired electrical outlet.
- Check the circuit breaker box connected to the electrical outlet to ensure the outlet is receiving power.
- Ensure the low voltage connection cable is plugged into the external transformer.
- Ensure that all cables are connected properly.

What if my lift chair operates in one direction only?

- Check the up and down buttons or toggle switch on the hand control to make sure they do not stick. If the buttons or switch are sticking in either position, the hand control may need to be replaced.
- Contact your authorized provider for further assistance.

What if my lift chair stops during a lifting cycle?

- Your lift chair is equipped with an internal thermal shutoff switch located inside the external transformer that prevents the motor control box from overheating. If the thermal shutoff activates, allow the lift chair to remain in a stationary position for 10 minutes to allow the motor to cool, then resume normal operation. If you notice the motors overheating frequently, contact your authorized provider.
- There may have been a power failure and/or there are no batteries in the external transformer or the batteries have no charge. Always make sure there are fresh 9V batteries in the external transformer if equipped with battery backup.
- Check the circuit breaker box connected to the electrical outlet to ensure the outlet is receiving power.

What if the heat and massage options on my lift chair do not function?

- Ensure the junction box is connected properly to the external transformer and that there is power to the transformer. A green LED will light on the transformer to indicate power.
- Ensure the heat and massage units are connected properly at the rear of the lift chair.
- Ensure the hand control is connected properly to the lift chair. If connected properly, any LEDs on the hand control will be lit.
- If any of the LEDs do not light, contact your authorized provider for further assistance.

What if my lift chair is rocking from corner to corner after I position the chair?

The floor may be uneven or the carpet may be affecting chair position. Adjust the leg levelers in the area where the chair is rocking. See III. "Your Lift Chair" for instructions on leveling your chair.

Where can I place the external transformer box?

- On the floor away from heat sources in an open, well-ventilated area where it will not be an obstruction.
- On the wall away from heat sources utilizing the optional external transformer wall mount. Refer to the Wall Mount Diagram Product Insert provided with your lift chair.

Where do I find the serial number on my lift chair?

You can find the serial number in two locations—one is near the rear of the motor on the steel lift mechanism, the second is attached to the frame below the scissor mechanisms. The model number for your lift chair is printed below the serial number bar code.

Who do I call for service?

Contact your authorized provider for service.

VII. CARE AND MAINTENANCE

Your lift chair will require routine maintenance checks. You can perform some of these checks, but others may require assistance from an authorized provider. By following the maintenance checks in this section as scheduled, you can help ensure your lift chair gives you years of trouble-free operation. If you have any questions regarding your lift chair's care, contact your authorized provider.

FABRIC CARE

- Inspect the fabric on a regular basis for any pulls, tears, or gaps.
- Choose the right methods to clean the fabric on your lift chair. Before cleaning your lift chair, consult your authorized provider for cleaning codes.

WARNING! Fabric should not be allowed to come in direct contact with any type of heat source (e.g., a space heater or cigarette). Personal injury or fire damage may occur.



WARNING! Your provider strongly recommends that you do not smoke cigarettes while seated in or using your lift chair, although the lift chair has passed the necessary testing requirements for cigarette smoking. You must adhere to the following safety guidelines if you decide to smoke cigarettes while seated in or using your lift chair.

- Do not leave lit cigarettes unattended.
- Keep ashtrays a safe distance from the lift chair.
- Always make sure cigarettes are completely extinguished before disposal.

NOTE: Do not use solvent-type cleaners to spot clean. Do not saturate the fabric. Prevent damage to the fabric; do not expose the lift chair to direct sunlight.

ELECTRONICS CARE

- Inspect all wiring harnesses to make sure they are not damaged or frayed.
- If damage is present, unplug the lift chair and contact your authorized provider for service.
- Keep all electronics free from moisture and temperature extremes. **Lift chairs are intended for indoor use only!**




WARNING! Even though the lift chair has passed the necessary testing requirements for ingress of liquids, you should keep electrical connections away from sources of dampness, including direct exposure to water or bodily fluids and incontinence. Check electrical components frequently for signs of corrosion and replace as necessary.

DISPOSAL AND RECYCLING

Your lift chair must be disposed of according to applicable local and national statutory regulations. Contact your local waste disposal agency or authorized provider for information on proper disposal of lift chair packaging, metal frame components, fabric, electronic components, and batteries.



WARNING! Plastic bags are a suffocation hazard. Dispose of plastic bags properly and do not allow children to play with them.



(This page intentionally left blank.)
(Cette page a été laissée vierge intentionnellement.)

(This page intentionally left blank.)
(Cette page a été laissée vierge intentionnellement.)



Votre fauteuil auto-souleveur doit subir des vérifications de routine. Vous pouvez faire certaines inspections vous-même tandis que d'autres inspections peuvent exiger que votre détaillant autorise l'exécution. En suivant la liste des vérifications, vous pouvez vous assurer que votre fauteuil auto-souleveur vous procurera plusieurs années de service sans problème. Si vous avez des questions concernant l'entretien votre fauteuil auto-souleveur, contactez votre détaillant autorisé.

SOINS DU RECOUVREMENT

- Inspectez le recouvrement pour voir s'il y a des fils tirés, des fentes ou des déchirures.
- Prenez la bonne méthode pour nettoyer le recouvrement de votre fauteuil auto-souleveur. Avant de commencer le nettoyage, consultez votre détaillant autorisé pour connaître la bonne méthode.

MISE EN GARDE! Le recouvrement ne doit jamais être mis en contact direct avec une source de chaleur telle qu'une cigarette ou une cigarette sous peine de vous blesser et/ou de provoquer un incendie.

MISE EN GARDE! Votre détaillant autorisé recommande fortement de ne pas fumer lorsque vous prenez place ou que vous faites fonctionner votre fauteuil auto-souleveur, même si votre fauteuil auto-souleveur a réussi les tests d'exposition à la cigarette. Si vous décidez de fumer dans votre fauteuil auto-souleveur, vous devez respecter les consignes suivantes:

- Ne laissez pas de cigarette allumée sans surveillance.
- Gardez les cendriers à distance du fauteuil auto-souleveur.
- Assurez-vous de bien éteindre les cigarettes avant d'en disposer.

NOTE: N'utilisez pas de nettoyeur à base de solvant pour enlever une tache. Ne saturez-pas le tissu. Ne placez pas le fauteuil en plein soleil afin de prévenir les dommages au recouvrement.

ENTRETIEN DES COMPOSANTES ELECTRONIQUES

- Inspectez tous les fils pour déceler des dommages ou de l'usure.
- Si vous décelez des dommages, débranchez le fauteuil et contactez votre détaillant autorisé pour le faire réparer.
- Gardez les composantes électroniques bien au sec, loin de toute humidité et dans un endroit tempéré. Les fauteuils auto-souleveurs sont conçus pour l'utilisation à l'intérieur seulement!

MISE EN GARDE! Même si votre fauteuil a réussi les tests d'exposition aux liquides, gardez votre fauteuil à l'abri des sources d'humidité tel que l'exposition directe à de l'eau et les liquides corporels. Inspectez les composants électriques fréquemment et remplacez-les si vous décelez de la corrosion.

MISE AU REBUT ET RECYCLAGE

Votre fauteuil auto-souleveur doit être mis au rebut en respectant les lois et règlements de votre municipalité. Contactez votre organisme local ou votre détaillant autorisé pour obtenir les informations sur la mise au rebut et le recyclage des pièces de métal, de bois, de plastique, batteries et l'emballage de votre fauteuil.

MISE EN GARDE! Les sacs de plastique sont dangereux pour les jeunes enfants. Assurez-vous d'en disposer de façon sécuritaire.

QUESTIONS FREQUEMMENT POSEES

Pourquoi mon fauteuil auto-souleveur refuse-t-il de fonctionner?

- Vérifiez que le transformateur externe est bien branché dans une prise électrique.
- Vérifiez le disjoncteur (circuit) de la prise électrique.
- Assurez-vous que le fil bas voltage est bel et bien branché au transformateur externe.
- Vérifiez le branchement de tous les câbles.

Que faire si mon fauteuil auto-souleveur fonctionne seulement dans une direction?

- Vérifiez le fonctionnement des boutons "UP"/"DOWN" ainsi que les boutons à bascule pour voir si un de ceux-ci a tendance à rester bloqué. Si un bouton semble défectueux, il faudra possiblement remplacer la manette.
- Contactez votre détaillant autorisé pour obtenir de l'aide.

Que faire si mon fauteuil auto-souleveur stoppe pendant que je me soulève?

- Votre fauteuil auto-souleveur est équipé d'une protection thermique interne située sur le transformateur externe afin de protéger le module de contrôle contre la surchauffe. Si la protection thermique coupe le courant, laissez le fauteuil auto-souleveur reposer pour environ 10 minutes afin que le moteur se refroidisse, puis reprenez l'utilisation normale. Si vous constatez que les moteurs surchauffent fréquemment, contactez votre détaillant autorisé.
- Il se peut qu'il y ait eu une panne de courant et/ou il n'y ait pas de batteries installées dans le transformateur externe ou les batteries sont à plat. Assurez-vous de toujours avoir des batteries 9V neuves dans le transformateur externe.
- Vérifiez le disjoncteur (circuit) de la prise électrique.

Que faire si les fonctions «Chaleur et Massage» de mon fauteuil ne fonctionnent pas?

- Vérifiez le branchement de la boîte de jonction avec le transformateur externe et l'alimentation du transformateur. Un voyant lumineux vert indique que le transformateur est alimenté.
- Vérifiez les connexions des modules chaleur et/ou massage à l'arrière du fauteuil.
- Assurez-vous que la manette de commande est branchée correctement au fauteuil auto-souleveur. Si la manette de commande est branchée correctement, tout voyant lumineux sur la manette devrait être allumé.
- Si un des voyants refuse de s'allumer, contactez votre détaillant autorisé pour obtenir de l'aide.

Que faire si mon fauteuil auto-souleveur oscille d'un coin à l'autre lorsqu'il est en place?

Le plancher est peut-être inégal ou un tapis affecte la position du fauteuil. Ajustez les patins niveleurs dans les coins ou le fauteuil oscille. Voir la section III, "Votre fauteuil auto-souleveur" pour les instructions.

Où puis-je placer le transformateur externe?

- Sur le plancher dans un endroit ouvert et bien ventilé sans que celui-ci fasse obstruction.
- Sur le mur, utilisez le boîtier de montage prévu à cet effet. Reportez-vous à l'encart du schéma de montage mural du produit fourni avec votre fauteuil auto-souleveur.

Où se trouve le numéro de série de mon fauteuil auto-souleveur?

Le numéro peut se trouver en deux endroits—près de l'arrière du moteur sur le cadre en métal du mécanisme, le second est attaché au cadre en dessous du mécanisme à ciseau. Le numéro de modèle de votre fauteuil auto-souleveur est imprimé sous le code barre du numéro de série.

Qui dois-je appeler pour obtenir du service?

Contactez votre détaillant autorisé pour obtenir du service.

Votre fauteuil auto-souleveur peut nécessiter un dépannage occasionnel. Si un problème survenait vous trouverez ci-dessous des indications afin d'y remédier sans complication. Si vous croyez ne pas pouvoir solutionner le problème en suivant les étapes ci-dessous, contactez votre détaillant autorisé pour du service. S.V.P. ayez en main le numéro de modèle, le numéro de série et la nature du problème avant de téléphoner.

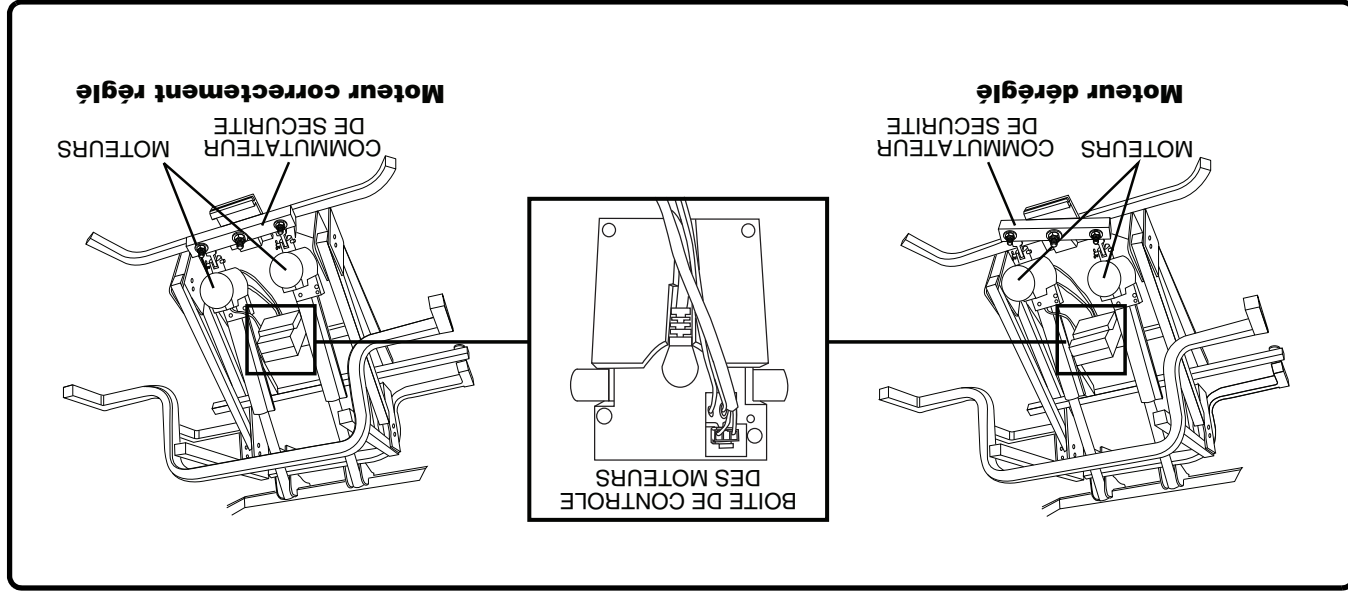
SYNCHRONISATION DES MOTEURS

NOTE: Si votre fauteuil auto-souleveur deux moteurs est équipé d'une option de chaleur/massage et/ou a été fabriqué avant le 17 mai 2011, et qu'il ne bouge pas quand la commande manuelle est enfoncée, les moteurs peuvent être déconnectés.

Suivez ces étapes pour rétablir le réglage du moteur:

1. Pesez sur le bouton de la manette dans un sens ou dans l'autre. Si le fauteuil refuse de fonctionner, vérifiez l'état du commutateur de sécurité à pression pour voir si il a été activé. Un moteur déréglé montrera un extension plus longue que la normale et un commutateur de sécurité enfoncé (**Fig. 6.1**).
2. Si un des moteurs est déréglé, débranchez l'un des deux connecteurs rouges de la boîte de contrôle des moteurs (**Fig. 6.1**).
3. Pesez sur le bouton "UP" jusqu'à ce que le fauteuil soit élevé au maximum. Ceci rétablira le réglage du moteur (**Fig. 6.1**).
4. Rebranchez le connecteur rouge sur la boîte de contrôle des moteurs (**Fig. 6.1**).

NOTE: Afin de conserver intacte la synchronisation du moteur, il est recommandé d'élever le fauteuil jusqu'en fin de course lorsque vous entrez ou sortez du fauteuil.



V. FONCTIONNEMENT

MISE EN GARDE! Ne pas vous appuyez ni mettre du poids sur le dossier lorsque celui-ci est en position complètement inclinée sous peine de faire basculer le fauteuil et de provoquer des blessures et/ou des dommages.



MISE EN GARDE! N'utilisez pas le repose-pied comme siège car celui-ci n'a pas été conçu à cet effet. Il se peut que le fauteuil se renverse, devienne instable ou encore que les composantes du fauteuil ne s'endommagent entraînant de blessures corporelles.

MISE EN GARDE! Veuillez à bien verrouiller ou débrancher la manette de commande lorsque le fauteuil n'est pas utilisé.

Suivez ces étapes pour bien vous assoir dans votre fauteuil auto-souleveur:

1. Assurez-vous que le fauteuil auto-souleveur est en position debout.
2. Approchez-vous du fauteuil et assoyez-vous au centre du siège.
3. Activez le bouton BAS (commutateur) pour abaisser le fauteuil auto-souleveur à une position assise confortable.

Suivez ces étapes de base pour faire fonctionner votre fauteuil auto-souleveur de la position assise:

1. Activez le bouton HAUT (commutateur) pour élever votre fauteuil auto-souleveur à la position debout.
2. Activez le bouton BAS (commutateur) pour abaisser le fauteuil auto-souleveur à une position assise confortable.

Voici comment se mettre debout à partir de votre fauteuil auto-souleveur:

1. Activez et maintenez le bouton BAS (commutateur) jusqu'à ce qu'il soit confortablement incliné.
 2. Activez et maintenez le bouton HAUT (commutateur) pour revenir à une position verticale assise.
- Relâchez le bouton (commutateur) quand le fauteuil auto-souleveur atteint une position assise confortable.

Suivez ces étapes pour vous lever de votre fauteuil auto-souleveur:

1. Activez et maintenez le bouton HAUT (commutateur) pour relever votre fauteuil auto-souleveur.
2. Relâchez le bouton lorsque le fauteuil atteint la position et que vous êtes bien debout.

MISE EN GARDE! N'essayez pas de vous lever jusqu'à ce que vous soyez sûr de pouvoir vous lever en toute sécurité, que vous soyez stable sur vos pieds, et que vous puissiez supporter le poids. Priez recommander l'utilisation d'aides et/ou d'une personne d'aide pour une meilleure stabilité.

AVERTISSEMENT! Évitez de placer tout votre poids sur les accoudoirs du fauteuil élévateur lorsque vous essayez de vous mettre debout et n'utilisez pas les accoudoirs pour supporter votre poids.



Position Trendelenburg (LL770)

Soulevez le repose-pied, puis inclinez le dossier jusqu'à ce que vos pieds soient plus élevés à partir du sol que votre tête. S'il vous plaît se référer au *Guide de Référence Rapide de la Manette de Commande* pour des informations plus détaillées sur votre manette de commande spécifique.

Position « Zéro Gravité » (LL770)

Soulevez le repose-pied, puis inclinez le dossier jusqu'à ce que vos cuisses et vos jambes soient légèrement plus élevées que votre torse (corps en position V). S'il vous plaît se référer au *Guide de Référence Rapide de la Manette de Commande* pour des informations plus détaillées sur votre manette de commande spécifique.

PRECAUTIONS A PRENDRE

- Vous devez prendre certaines précautions lorsque vous utilisez votre fauteuil auto-souleveur. Lisez et suivez les consignes afin de vous assurer un bon fonctionnement et éviter les blessures et/ou dommages au produit.
- Branchez le cordon d'alimentation directement dans une prise. **N'utilisez pas de rallonge électrique!** Ne placez pas d'objet (par exemple un verre à boire) sur ou près du transformateur externe.
- Si le transformateur externe ou la manette doivent être nettoyés, débranchez le cordon de la prise électrique, utilisez un chiffon légèrement humide et laissez les composantes s'assécher avant de rebrancher le cordon.
- Inspectez périodiquement la manette et les fils afin de détecter des dommages visibles.
- Gardez toujours la manette loin des sources de chaleur.
- Assurez-vous que la manette ne soit pas dans votre chemin lorsque vous vous assoyez.
- Tenez les enfants et objets loin des pièces en mouvement lorsque vous faites fonctionner votre fauteuil auto-souleveur.
- Ne laissez-pas d'enfant jouer près du fauteuil lorsque vous le faites fonctionner. Seule la personne qui a besoin du fauteuil devrait l'utiliser.
- Vous pouvez détacher la manette du fauteuil lorsque vous voulez prévenir l'utilisation non autorisée du fauteuil.
- Évitez les endroits où vous pouvez vous pincer/écraser les doigts dans les ciseaux du mécanisme.
- Gardez vos mains et vos pieds loin de ces endroits.
- Gardez le fauteuil en position droite et fermée lorsque celui-ci n'est pas utilisé.
- Ne pas s'asseoir ou se tenir sur le repose-pieds ou son extension.
- Ne vous laissez pas tomber dans le fauteuil auto-souleveur lorsque celui-ci est partiellement soulevé.

INTERDITI! Ne placez aucun objet sous le fauteuil auto-souleveur. Assurez-vous qu'il n'y ait aucune obstruction incluant un petit enfant ou un animal de compagnie avant de le faire fonctionner.



MISE EN GARDE! Évitez les risques de chutes, de feux, de chocs électriques ou de pincement/écrasement des doigts. Respectez toutes les consignes et précautions.

MISE EN GARDE! Prévenez les dommages! Ne placez pas le transformateur externe sous le fauteuil releveur.



MISE EN GARDE! Ne couvrez pas le transformateur externe. Gardez le transformateur externe dans un endroit ouvert, bien ventilé et libre de débris afin d'en assurer le bon fonctionnement.

FONCTIONNEMENT DE LA MANETTE DE COMMANDE

Votre manette de commande du fauteuil auto-souleveur est équipée de commutateurs/boutons qui contrôlent le mouvement du fauteuil et/ou les options de chaleur et de massage. Lisez les instructions suivantes pour l'opération de base de la manette de commande. S'il vous plaît se référer au *Guide de Référence Rapide de la Manette de Commande* pour des informations plus détaillées sur votre manette de commande spécifique.

MISE EN PLACE DU FAUTEUIL AUTO-SOULEVEUR

Votre fauteuil auto-souleveur devrait être placé près d'une prise électrique standard, sur un plancher à niveau, au sec et avec amplement d'espace pour le fonctionnement. Détaillant autorisé recommandé de demander de l'aide pour la mise en place du fauteuil afin d'éviter de vous blesser en le soulevant.

Suivez ces consignes pour la mise en place sécuritaire de votre fauteuil auto-souleveur :

1. Placez le dos du fauteuil auto-souleveur à environ 76 cm (30 po) du plus proche obstacle alors que le fauteuil est en position droite. Cette distance peut varier selon le modèle.
2. Réglez les patins niveleurs pour stabiliser le fauteuil auto-souleveur (Fig. 3.1).
3. Installez les batteries dans le transformateur externe. Voir "Installation des batteries" au besoin.
4. Placez le transformateur externe sur le plancher dans un endroit à niveau, bien ventilé et où il ne fera pas obstacle. Installez-le au mur s'il est équipé de cette option.
5. Positionnez le câble d'alimentation bas voltage de manière à ce qu'il ne puisse pas être coincé entre le cadre du fauteuil et le mécanisme.
6. Branchez le câble dans le transformateur externe si ce n'est pas déjà fait.
7. Branchez le cordon d'alimentation directement dans la prise murale. N'utilisez pas de cordon de rallonge électrique!

NOTE: Si vous percevez un problème quelconque lors de la préparation ou de la mise en place de votre fauteuil auto-souleveur, arrêtez et contactez votre détaillant autorisé immédiatement. Afin de prévenir les blessures et/ou dommages au produit, ne branchez pas le fauteuil dans la prise électrique tant que le problème n'est pas résolu et ne tentez pas de corriger un problème électrique par vous-même.

INSTALLATION DES BATTERIES

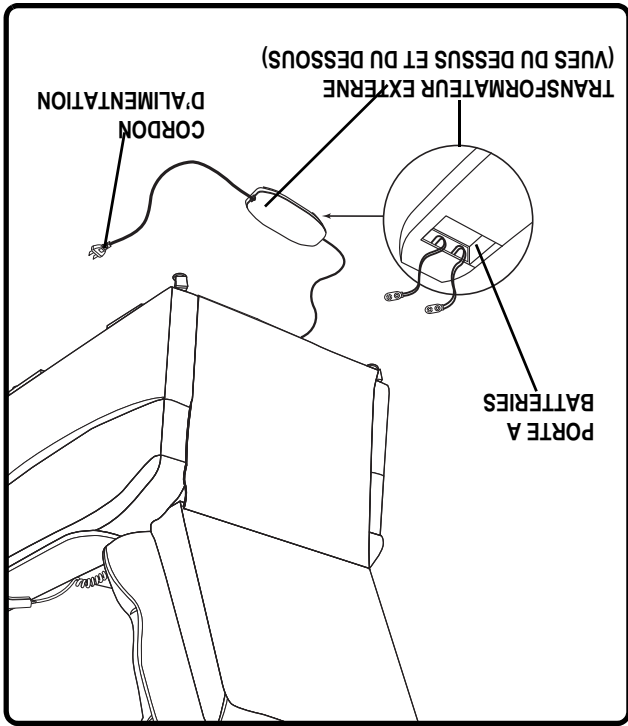
Votre fauteuil auto-souleveur est équipé d'un système d'alimentation d'urgence en cas de panne de courant. Le système est alimenté par deux batteries 9V (non incluses) qui doivent être installées dans le transformateur externe.

Suivez les étapes suivantes pour installer les batteries :

1. Débranchez le transformateur externe de la prise électrique.
2. Ouvrez la porte identifiée sur le transformateur externe.
3. Installez deux batteries 9V dans le transformateur externe (Fig. 4.4).
4. Remplacez la porte à batteries.

NOTE: Assurez-vous de toujours avoir deux batteries 9V neuves installées dans votre système d'urgence car le système ne recharge pas les batteries. Des batteries neuves sont des piles 9V de type alcaline qui sont remplacées après chaque utilisation du système d'urgence ou au moins une fois l'an si le système d'urgence n'a pas été sollicité.

Figure 4.4 Emplacement des batteries sur fauteuil auto-souleveur standard



NOTE: Si vous devez débrancher le fauteuil pour une période prolongée (plus d'une heure), retirez les batteries du transformateur car celui-ci drainera les batteries même si le fauteuil n'est pas en fonction.

IV. ASSEMBLAGE/DEMONTAGE

3. Pesez fermement sur le dessus du dossier pour le bloquer en position. Vous devez entendre le « clic » provenant de chaque côté pour bien le bloquer en place.

NOTE: Tirez sur le dossier pour vous assurer qu'il est bien bloqué en place.

NOTE: Voir la figure 4.2 pour des instructions supplémentaires concernant les modèles LC770.

4. Connectez le faisceau de la manette de commande au fauteuil auto-souleveur et le faisceau de chaleur/massage (si équipé) au fauteuil auto-souleveur (Fig. 4.3).

MISE EN GARDE! Ne branchez pas la manette à bouton et/ou la manette de commande massage/chaleur directement au moteur. Branchez la manette de commande dans la boîte de jonction afin de prévenir les dommages à l'équipement.



5. Fixez le recouvrement du dossier sur la bande velcro à la base du fauteuil.

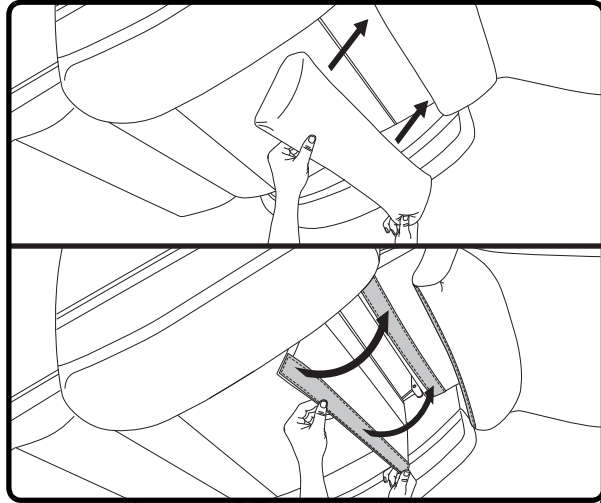


Figure 4.2 LL770 Montage supplémentaire

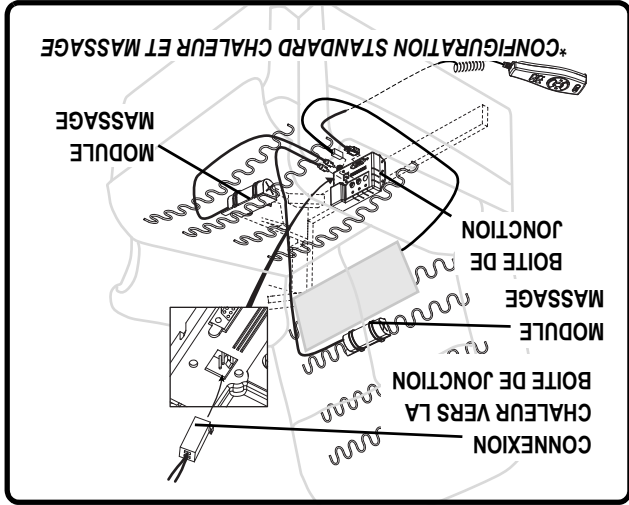


Figure 4.3 Connexions du faisceau

- Pour les fauteuils équipés de la fonction "chaleur et massage" branchez le câble "chaleur et massage" sur le fauteuil.
- Le(s) coussin(s) chauffant(s) et les appareils de massage ont été installés en usine sur votre fauteuil auto-souleveur. Vous devez seulement connecter le faisceau de câbles à votre fauteuil auto-souleveur. Si vous trouvez qu'un assemblage supplémentaire est nécessaire avec ce système, contactez immédiatement votre détaillant autorisé.

- Pour les fauteuils auto-souleveur de la collection LL770, lorsque le dossier est fixé selon les instructions "KD", inclinez de la base par-dessus la fente entre le siège et le dossier. À l'aide des attaches réutilisables, fixez le rabat à la base et sur le coussin inférieur du dossier.
- Placez le coussin complémentaire par dessus le rabat en le coinçant légèrement entre le dossier et le siège, relevez le LL770 en position assis.



AVERTISSEMENT! Soyez conscient que la température moyenne du coussin chauffant est entre 41°C et 48°C (106°F - 118°F) et peut être affectée par la température ambiante de la pièce et par les vêtements portés par l'utilisateur. Nous recommandons que le coussin chauffant ne soit pas utilisé pendant plus de 20 minutes car l'exposition prolongée peut avoir un effet néfaste sur la peau sensible. Toutefois, vous devez consulter un médecin pour savoir à quelle fréquence vous pouvez utiliser les options de chaleur et de massage sur votre fauteuil auto-souleveur.

MISE EN GARDE! Faire preuve d'une grande prudence lors de l'utilisation des unités chauffantes si vous avez de la difficulté à détecter la chaleur.

IV. ASSEMBLAGE/DEMONTAGE

Votre fauteuil auto-souleveur requiert un peu d'assemblage avant l'utilisation initiale. Le fauteuil peut être partiellement démonté pour faciliter l'entretien. Si votre fauteuil auto-souleveur est un modèle rabattable (KD), suivez les instructions "Réparation du fauteuil auto-souleveur".

CHAISE ASSEMBLAGE

NOTE: Si votre fauteuil auto-souleveur est le modèle *Infini*, reportez-vous aux instructions de montage fournies avec le fauteuil. Pour le modèle 2-position, les manches KD sont situés à l'intérieur comme le montre la figure 4.1.

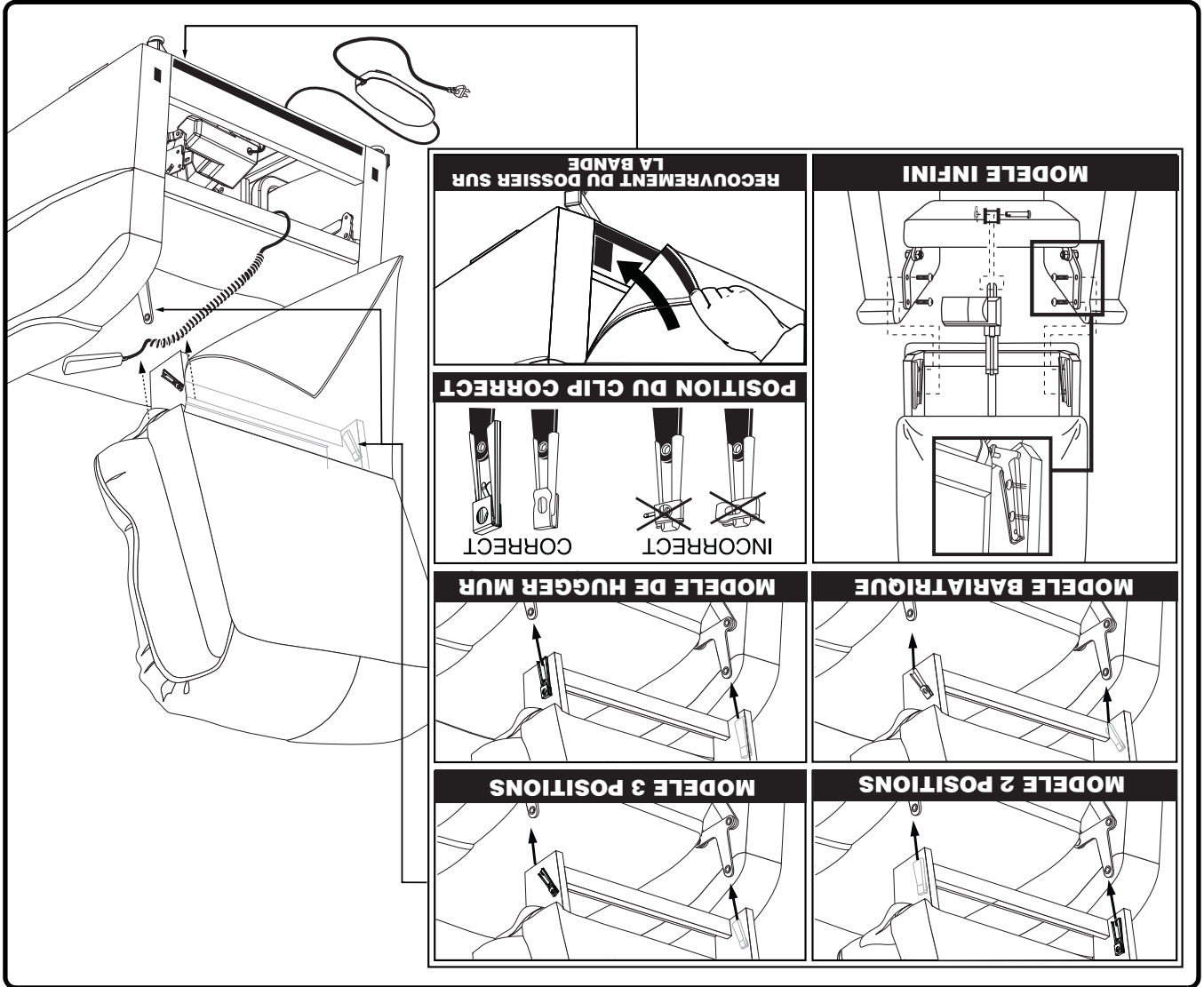


Figure 4.1 Assemblage du fauteuil auto-souleveur

1. Déballiez le dossier pour vérifier que la clip de blocage est bien à la verticale. Repositionnez la au besoin.
2. Faire passer la manette de commande et le câble sur la base du fauteuil, puis faites glisser le dossier sur la base. Vérifiez que le câble de commande de la main est acheminé à travers l'arrière de la chaise de levage.

NOTE: En fonction de la largeur du fauteuil, vous devez peut-être glisser un manchon à la fois. Dans ce cas, mettez le dossier à niveau avant de l'enfoncer pour le bloquer en position.

Coussin de dossier enlevable: Fixé au fauteuil auto-souleveur à l'aide d'attaches réutilisables afin de permettre l'ajout du coussin facilitatif pour le sommeil sur certains modèles et pour faciliter l'entretien.

Coussin de siège enlevable: Fixé au fauteuil auto-souleveur à l'aide d'attaches réutilisables pour faciliter l'entretien.

**NOTE: Le fauteuil doit être en position inclinée vers l'arrière pour détacher le coussin de dos, de siège ou pour installer le coussin facilitatif pour le sommeil (LL670 seulement). Si le fauteuil auto-souleveur est équipé avec les options de chaleur et de massage, vous devez également débrancher les connexions de la chaleur et du massage avant de retirer le coussin arrière et/ou le coussin du siège.*

**NOTE: L'ensemble pour le sommeil du LL770L est composé d'un matelas, d'un drap, de couvertures et d'un sac de rangement. Il est recommandé de placer le matelas dans son sac avant de le ranger.*

NOTE: Les batteries ne produiront de l'énergie que pour une courte période de temps lors d'une panne d'électricité. C'est pourquoi il est important d'agir sans attendre si une panne survient. Pesez et tenez le bouton "UP" sur la manette dès que possible. Maintenez une pression soutenue sur le bouton afin d'éviter une surcharge sur les batteries et d'obtenir une poussée maximale. Garder en mémoire que la capacité des batteries à fournir une poussée est affectée par le poids de l'utilisateur et de leurs état.

MISE EN GARDE! Danger! Prenez garde de vous écraser les doigts lorsque vous faites fonctionner le mécanisme élévateur du fauteuil inclinable. Gardez les items suivants et autres objets similaires loin des endroits où ils peuvent être ou écrasés par les articulations du mécanisme du fauteuil:

- membres
- petits enfants
- animaux de compagnie
- fils ou câbles
- tubes d'oxygène, réservoirs d'oxygène et ventilateurs portables.
- articles pouvant se coincer tels que les vêtements, couvertures et autres articles semblables
- cordon d'alimentation électrique



COMPONENTES ELECTRIQUES

Votre fauteuil auto-souleveur est équipé d'un système électrique DC à bas voltage qui transforme le courant standard 100V AC-240V AC en courant direct (24/39V DC). Les composants électriques sont le transformateur externe, les batteries et la manette de commande. Gardez les loin de l'humidité en tout temps.

MISE EN GARDE! Gardez les composantes électriques à l'abri de l'humidité en tout temps afin de prévenir les chocs électriques.



Batteries: En cas de panne de courant, celles-ci alimentent le moteur du fauteuil pour le ramener en position relevée. Pour les modèles équipés de batteries d'appoint, les batteries (non fournies) doivent être installées dans le transformateur externe. Voir la section IV. "Assemblage/Démontage."

III. VOTRE FAUTEUIL AUTO-SOULEVEUR

Les fauteuils auto-souleveurs sont équipés de plusieurs châssis et de plusieurs composants électriques. En règle générale, les composants du châssis (ou le cadre) incluent un coussin* de siège amovible, repose-pied, nivelage de pieds, un mécanisme de levage, et des mécanismes à ciseaux. Les composants électriques comprennent le transformateur externe, manette de commande, et ± piles (non fournies). Reportez-vous à la **figure 3.1** et notez que les illustrations et les options énumérées peuvent ne pas refléter le type de fauteuil auto-souleveur que vous possédez.

COMPONENTES PRINCIPALES

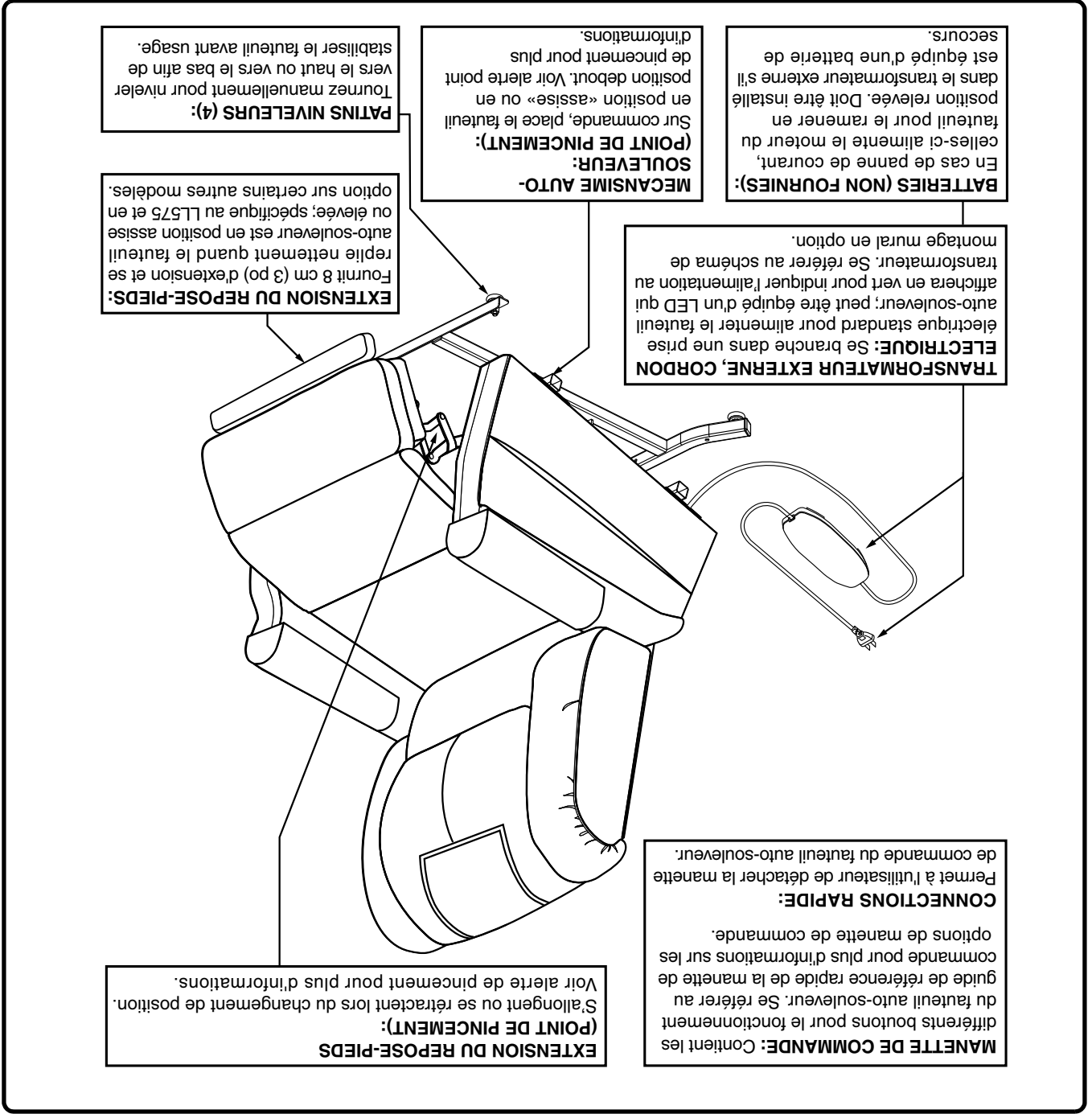


Figure 3.1 Composantes du fauteuil auto-souleveur

Le mécanisme en ciseaux et de soulèvement possède des labels aux endroits ou on peut pincer/écraser ses doigts sous le fauteuil auto-souleveur. Gardez vos mains loin de ces endroits et assurez-vous qu'il n'y ait pas d'objet dans la trajectoire du mécanisme. Voir la **figure 3.1** pour localiser les endroits à éviter.

MISE EN GARDE! Ne placez pas d'objets ou vos doigts dans la trajectoire du mécanisme.



Degré de Protection/Mode de Fonctionnement

- Equipement de classe II /Protection de type B contre les chocs électriques
- Degré de protection contre la pénétration des solides/liquides (anti éclaboussure)—IPX0
- Mode de fonctionnement—Cycle d'utilisation: 2 min. en fonction «ON»/18 min. à l'arrêt «OFF»

Températures de Fonctionnement/Entreposage

- Transport ou entreposage: -75°C/-104°F à 70°C/158°F
- Fonctionnement: 10°C/50°F à 40°C/104°F

Interférence Electromagnétique et Radiomagnétique (EMI/RFI)

MISE EN GARDE! Des tests en laboratoire ont démontré que les ondes radio et les interférences électromagnétiques peuvent affecter les appareils électriques tel que votre fauteuil auto-souleveur.



Les ondes électromagnétiques et les interférences radio proviennent des sources tels que les téléphones cellulaires, les radios mobiles (walkie-talkies), stations radio, stations de télévision, radio amateur (HAM) liens informatiques, émetteurs micro-ondes, les téléavertisseurs et les radios émetteurs utilisés par les services d'urgence. Dans certains cas, ces ondes peuvent provoquer des mouvements involontaires ou endommager les systèmes de commande des appareils électriques. L'utilisateur peut aider à réduire les interférences électromagnétiques en conservant une distance minimale de 3 mètres (9 pieds) entre le fauteuil et les appareils portable et les équipements de communication de type "RF". Il est recommandé de maintenir au moins 3 mètres (9 pieds) de distance entre le fauteuil auto-souleveur et tout équipement portatif émettant 10 W ou plus de puissance radio. Référez-vous à la documentation accompagnant l'appareil émetteur pour connaître la puissance maximale de cet appareil.

Tout appareil électrique possède un niveau d'immunité (ou résistance) au EMI/RFI. Plus le niveau est élevé meilleure est la protection contre les EMI/RFI. Selon les normes I "EMC", ce produit a réussi les tests d'immunité et est classé dans le groupe "1", Classe B, ce qui signifie que le fauteuil élévateur n'utilise l'énergie "RF" que pour son fonctionnement interne. Conséquemment les émissions "RF" sont très faibles et peuvent difficilement provoquer des interférences aux appareils électroniques avoisinant le fauteuil. Le fauteuil est parfaitement sécurisé et peut être utilisé dans tous les environnements incluant les maisons privées et les hôpitaux.

MISE EN GARDE! Prenez garde aux téléphones cellulaires, radio émetteur, ordinateurs portables et autres radio émetteurs car leurs ondes radio peuvent affecter le fonctionnement de votre fauteuil auto-souleveur. Soyez prudent si vous devez utiliser un appareil semblable.

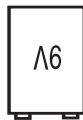


MISE EN GARDE! L'ajout d'accessoires ou de composants à votre fauteuil auto-souleveur peut accroître la sensibilité de celui-ci au EMI. Ne modifiez pas votre fauteuil auto-souleveur d'aucune façon sans l'autorisation de détaillant autorisé.



MISE EN GARDE! Votre propre fauteuil auto-souleveur peut lui aussi affecter les appareils électriques de son entourage tels que les systèmes d'alarme.

II. SECURITE



Emplacement de la porte d'accès aux batteries.



Degré de protection contre les chocs électriques.

TYPE B



Disposez des composants électroniques tels que la manette, les batteries, les moteurs et transformateurs électriques correctement. Contactez votre détaillant pour de plus amples informations.



Voyant vert allumé indique que le bloc d'alimentation est sous tension. Ne s'applique pas à tous les modèles.

Votre fauteuil auto-souleveur est un appareil dernier cri conçu pour améliorer votre confort. Une grande variété de produits adaptés aux besoins de chacun, cependant prenez note que le choix final d'achat et la décision concernant le type de fauteuil auto-souleveur vous incombe si vous en êtes capable ou incombe à votre professionnel (i.e., médecin, ergothérapeute, etc.) le cas échéant.

OBLIGATOIRE! Lisez et respectez les consignes et informations contenues dans ce manuel avant de tenter d'utiliser votre fauteuil auto-souleveur pour la première fois.



Dans certaines situations, incluant des conditions médicales qui exigent une certaine habileté pour l'utilisation vous aurez besoin de la présence d'une personne aidante qualifiée afin de vous pratiquer. Une personne qualifiée peut être un membre de votre famille ou un professionnel de la santé formé pour vous assister lors de l'exécution d'activités quotidiennes telle que l'utilisation sécuritaire de votre fauteuil auto-souleveur.

Vous trouverez ci-dessous des conseils, trucs et autres consignes qui vous seront utiles pour le fonctionnement sécuritaire de votre fauteuil auto-souleveur.

Modifications

Vous ne devez pas modifier, ajouter, retirer ou rendre inutilisables quelques fonctions, pièces ou parties de votre fauteuil auto-souleveur. Des modifications non-autorisées peuvent annuler la garantie.

NOTE: Utilisez seulement des pièces de remplacement d'origine pour les réparations.

Limite de Poids

Votre fauteuil auto-souleveur possède une limite de poids maximale. S'il vous plaît se référer au tableau des spécifications pour cette limite.



OBLIGATOIRE! N'exécédez pas la capacité de poids maximum de votre fauteuil. Le fabricant et/ou détaillant ne pourra être tenu responsable des dommages et blessures découlant du non-respect de la consigne du poids maximum.

II. SECURITE

SYMBLES SECURITE

Les symboles ci-dessous sont utilisés sur le produit pour souligner les mises en garde, les actions obligatoires et les actions interdites. Il est très important de lire les consignes et bien comprendre les symboles. N'enlevez pas les labels de votre produit. Prenez note que vous pouvez ne pas retrouver certains symboles sur tous les modèles.

Endroit ou vous pouvez pincer/écraser vos doigts. Ne placez pas d'objet ou vos doigts près de pièces en mouvement.



Risque de chocs électriques.



Ce produit a subi et réussi les tests de la norme IEC 60601-1-2.



Lisez et respectez les consignes présentées dans ce manuel.



Poids maximum.



N'utilisez pas de cordon de rallonge pour brancher le transformateur externe ou le chargeur à batteries.



Ne retirez pas la fiche de mise à la terre car vous risquez de vous électrocuter. Au besoin, utilisez un adaptateur à 3 branches sur une prise à deux fentes.



Ne branchez pas la manette de commande massage/chaieur directement au moteur. Branchez la manette de commande dans la boîte de jonction afin de prévenir les dommages à l'équipement.



Ne placez pas d'objet sous le fauteuil. Assurez-vous qu'il n'y a pas d'obstructions y compris votre animal de compagnie ou un enfant près du fauteuil pendant le fonctionnement.



Assurez-vous qu'il n'y ait aucune obstruction y compris un jeune enfant ou votre animal de compagnie. Assurez-vous qu'il n'y a pas d'obstructions y compris votre animal de compagnie ou un enfant près du fauteuil pendant le fonctionnement.



Ne placez pas d'objet sous le fauteuil. Assurez-vous qu'il n'y a pas d'obstructions y compris votre animal de compagnie ou un enfant près du fauteuil pendant le fonctionnement.



Equipement de classe II



Pour usage à l'intérieur seulement. Ne pas exposer à la pluie, neige, glace, sel, ou eau stagnante. Gardez dans un endroit propre et sec.



I. INTRODUCTION

SECURITE

Le produit que vous avez acheté a été conçu selon les toutes dernières technologies afin de maximiser la **sécurité** et le confort. **Lisez et respectez** toutes les instructions, mises en garde et notes de ce manuel ainsi que celles incluses dans la documentation accompagnant le produit avant de tenter de l'utiliser pour avez besoin d'aide pour la préparation ou la mise en place de votre produit, S.V.P. contactez votre détaillant autorisé. **Suivez les instructions, mise en garde et les notes incluses dans ce manuel ainsi que sur les labels apposés sur le produit sous peine de vous blesser, d'endommager votre fauteuil et d'annuler la garantie.**

NOTE: Si vous perdez ou égarez votre manuel du propriétaire, téléphonez ou écrivez-nous, nous vous ferons parvenir immédiatement des documents de remplacement.

ENTENTE A L'ACHAT

En acceptant ce produit, vous vous engagez à ne pas modifier, altérer, enlever ou rendre inutilisables les protecteurs et/ou gardes de sécurité, dispositifs de sécurité. Vous vous engagez à ne pas refuser ni négliger de faire installer les trousseaux de mise à jour, fournies par afin de maintenir ou améliorer l'aspect sécuritaire de votre produit.

TRANSPORT ET LIVRAISON

Avant d'utiliser votre fauteuil auto-souleveur, assurez-vous que vous avez bien reçu toutes les pièces car il se peut que certaines composantes aient été emballées séparément. S'il vous manque des pièces, S.V.P. contactez votre détaillant autorisé immédiatement. Si votre produit a été endommagé (emballage ou contenu) pendant le transport, S.V.P. contactez le transporteur responsable des dommages.

TRANSPORT DANS UN VEHICULE

Si vous transportez votre fauteuil auto-souleveur dans un véhicule routier, certaines composantes (transformateur externe, etc.) doivent être ancrées afin qu'elles ne puissent glisser. De plus le fauteuil auto-souleveur doit lui-aussi être ancré au véhicule car il glisserait lors d'un freinage d'urgence.

TABLE DES MATIERES

I.	INTRODUCTION	4
II.	SECURITE	5
III.	VOTRE FAUTEUIL AUTO-SOULEVEUR	8
IV.	ASSEMBLAGE/DEMONTAGE	10
V.	FONCTIONNEMENT	13
VI.	PROBLEMES ET SOLUTIONS	15
VII.	SOINS ET ENTRETIEN	17

Les symboles ci-dessous seront utilisés dans l'ensemble du manuel et sur le produit pour souligner les mises en garde et les informations importantes. Il est très important de bien les lire et de les comprendre complètement.



MISE EN GARDE! Identifie une condition/situation potentiellement dangereuse. Le non respect de ces consignes peut entraîner des blessures, des dommages à votre produit. Sur le produit, le symbole est un triangle jaune avec une bordure noire.



OBLIGATOIRE! Ces actions doivent être exécutées comme indiqué sous peine de vous blesser ou d'endommager votre produit. Sur le produit, le symbole est un carré sur un fond bleu et bordure blanche.



INTERDIT! Ces actions sont interdites. Ces actions ne doivent pas être entreprises sous aucune considérations sous peine de vous blesser ou d'endommager votre produit. Sur le produit, le symbole est noir dans un cercle rouge et une barre oblique rouge.

UTILISATION PRÉVUE

L'utilisation prévue de l'appareil de Pride Mobility Products est celle d'un appareil qui dispose d'une commande de positionnement motorisée, destinée à des fins médicales et qui peut être réglée à différentes positions. L'appareil est utilisé afin de fournir la stabilité aux patients et pour améliorer la stabilisation posturale. L'appareil de Pride Mobility Products fournira une assistance de levage pour les personnes qui ont des difficultés à se lever d'une position assise à la position debout.

CONCERNANT L'UTILISATION D'APPAREILS FOURNIS SUR ORDONNANCE

ATTENTION : en vertu de la loi fédérale cet appareil ne peut être vendu que par un médecin ou sur prescription médicale ou par d'autres personnes certifiées autorisées par la loi de l'Etat (Etats-Unis uniquement) ou de la région dans laquelle ces personnes sont spécialisées dans l'utilisation ou peuvent prescrire l'utilisation de cet appareil.

S.V.P. complétez le formulaire d'information ci-dessous:

_____	Détailant Pride:
_____	Adresse:
_____	Téléphone:
_____	Date d'achat:

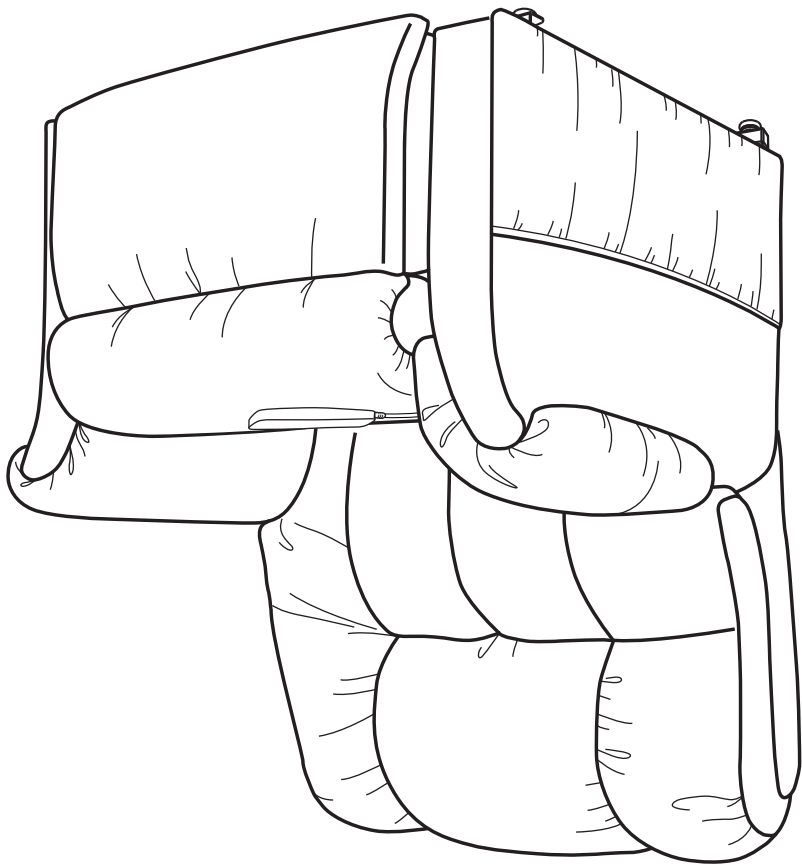
NOTE: Ce manuel a été préparé à l'aide des informations et spécifications les plus récentes au moment de sa publication. Nous nous réservons le droit d'apporter des changements au besoin. Tout changement au produit peut entraîner de légères variations entre les illustrations et explications contenues dans ce manuel et le produit que vous avez acheté. La version courante de ce manuel est se trouver sur notre site Internet.

NOTE: Ce produit répond aux exigences et respecte les directives des normes WEEE, RoHS et REACH.

NOTE: Ce produit conforme à la classification IPX1 (IEC 60529).

NOTE: Le Fauteuil Auto-Souleveur et ses composants ne sont pas fabriqués avec du latex de caoutchouc naturel. Consultez le fabricant en ce qui concerne les accessoires après-vente.





FAUTEUIL AUTO-SOULEVEUR MANUEL DU PROPRIETAIRE

Votre fauteuil auto-souleveur de Pride est passé par un protocole d'inspection rigoureux pour assurer que notre produit est fabriqué à votre satisfaction.

Qualité du rembourrage

Esthétique et confort

Performance

Pride conserve un rapport plus détaillé à l'usine.

1-888-570-1113 (Canada)

Pride[®]
Mobility Products Corp.
www.pridemobility.com